

## INSTALLATION INSTRUCTIONS

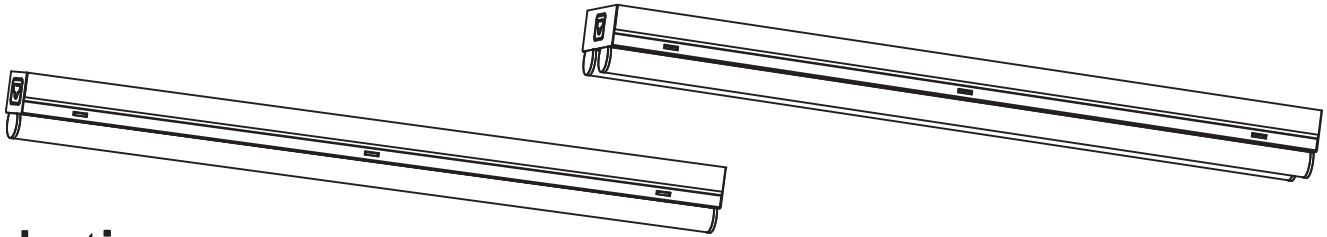
LED STRIP FIXTURE | LFX/EC/2FT/1L/10W/MV  
 | LFX/EC/2FT/2L/15W/MV  
 | LFX/EC/4FT/1L/15W/MV  
 | LFX/EC/4FT/2L/30W/MV

**Please read and understand this entire manual before attempting to assemble, operate or install the product.**

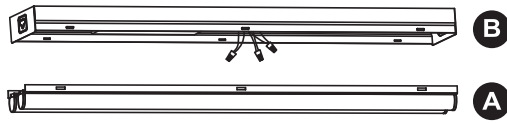
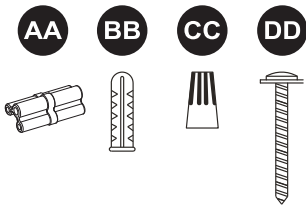
**WARNING:** Avoid fire or electric shock. Follow installation instructions carefully. If unsure about electrical installation, consult a qualified electrician. Wear rubber-soled shoes and work on a sturdy wooden ladder. Ground fixture to avoid potential electric shock. Handle metal parts carefully to prevent cuts. To avoid a hazard to children, account for all parts and destroy all packing materials.

**This device complies with part 15 of the FCC rules. Operation is subject to the following two conditions: (1) This device may not cause harmful interference, and (2) this device must accept any interference received, including interference that may cause undesired operation.**

**CAUTION:** Turn off the power at fuse or circuit breaker box before installation and maintenance. NOTE: This fixture is suitable for 120-277 Volts fused circuit. Fixture must be installed according to National Electric Code and local building codes. If you are unsure about wiring, consult a qualified electrician. DO NOT USE ON A DIMMING CIRCUIT. Suitable for Damp Locations.



## Introduction



Part	Item Name	Qty.
A	LED Cover Assembly	1
B	Body	1
AA	Linking Connector	1
BB	Drywall Anchors	2
CC	Wire Nuts	3
DD	Wood Screws	2

Select suitable location that can support the weight of the fixture.

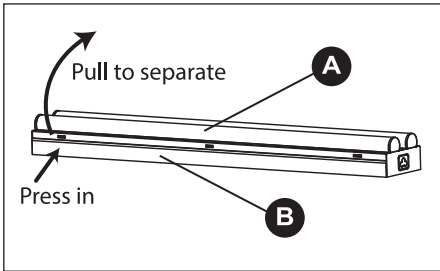
Suitable for use in the following locations:

- Ambient Temp: -20~+40°C
- Indoor use
- Damp locations

Not compatible with dimmers

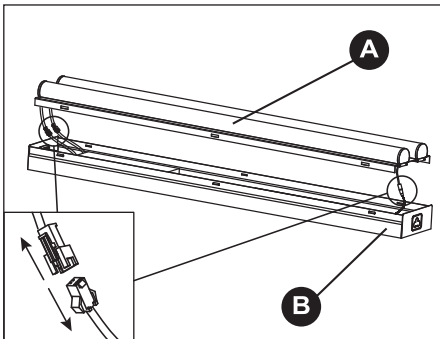
## Installation

Figure 1



1. Gently press housing base (B) near one end of the fixture while pulling the metal part of the LED cover assembly (A) so that housing separates at the seam as shown.

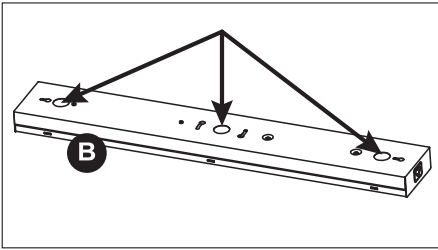
Figure 2



2. Locate the wiring quick disconnect connectors between the two halves and release the connectors to separate the wires between the two halves. Set aside the LED cover assembly (A)

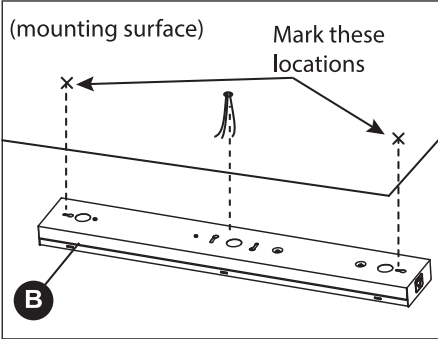
# Installation(continued)

Figure 3



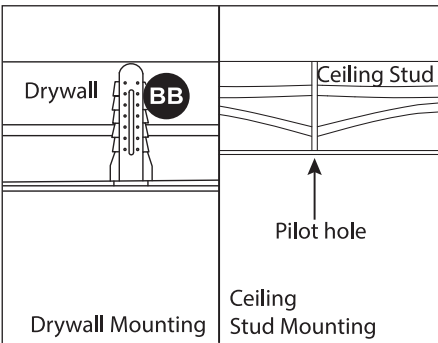
3. Set aside the LED cover assembly (A), and set the housing base (B) on a firm surface with the back side facing up. Determine which knockout will be used to align with the wiring from the mounting surface and using a screwdriver, punch out the knockout hole and

Figure 4



4. Align knockout hole with the supply wire location on the mounting surface and hold the housing base (B) up in its intended location with one hand while marking the location of the two keyhole slots at each end of the fixture plate.

Figure 5

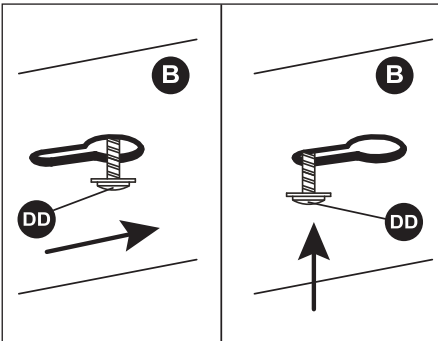


5. **DRYWALL MOUNTING:** If the mounting holes go through drywall without a stud, drill four small pilot holes using a 1/8-in. drill bit (not included), and install drywall anchors (BB) into the holes with a hammer (not included).

**CEILING STUD MOUNTING:** If the mounting holes go through ceiling studs, drill four small pilot holes using a 5/32-in. drill bit (not included) for the wood screws (CC).

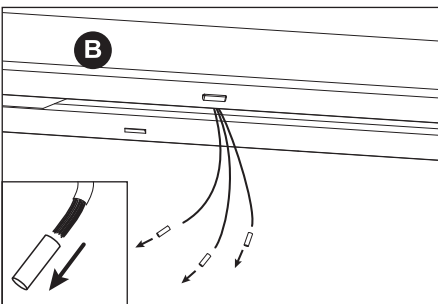
**NOTE:** Install Wood screws (DD) but leave about 1/2-in. of space between the screw head and mounting surface.

Figure 6



6. Feed the supply wires from the mounting surface through the knockout hole on the housing base (B). Guide the heads of the two wood screws into the keyhole slots and slide the housing base (B) in the direction such that the wood screw heads rest over the narrow part of the keyhole slot. Ensure that the fixture is supported and tighten the two wood screws (DD) until the fixture is secured to the mounting surface.

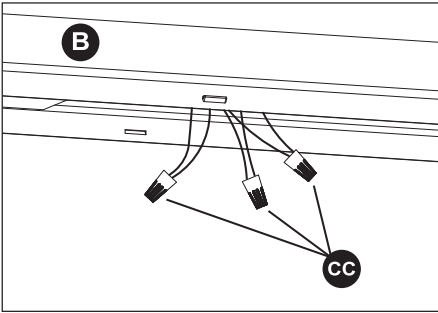
Figure 7



7. Remove the heat shrink tubing wrap from the ends of the black, white, and green wires in order to expose the copper wires prior to connecting to the building supply lines.

# Installation(continued)

Figure 8

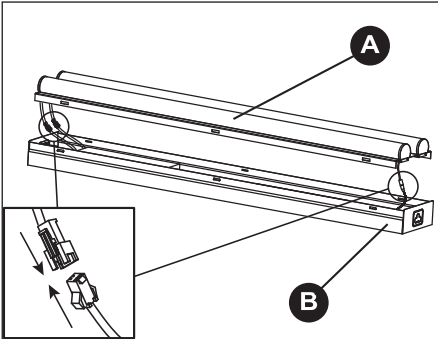


8. Connect the fixture wires to the supply wires -- black to black, white to white, and green to copper/bare.

**WARNING:** If there is no ground supply wire, stop installation and consult a qualified electrician.

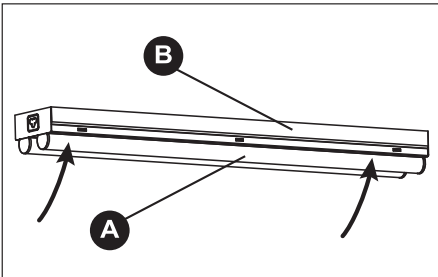
Once wire connections are made, secure each with a wire nut (CC).

Figure 9



9. Re-connect the connectors between the housing base (B) and LED cover assembly (A).

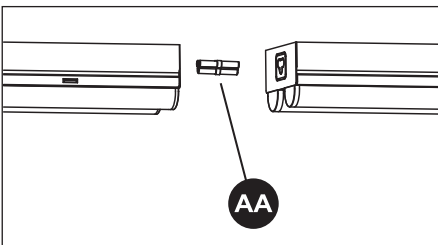
Figure 10



10. Snap the LED cover assembly (A) back onto the housing base (B) to complete the installation.

## Linking Multiple Fixtures

Figure 11



11. If linking two or more fixtures together, power to each subsequent fixture can be made by using the linking connector (AA) where only the first fixture needs to be electrically hardwired and all linked fixtures only need to be mechanically secured to the mounting surface.

**Sunshine Lighting Company**

744 Clinton Street Brooklyn, NY 11231, USA

T. 718.768.7000

F. 718.768.0970

www.sunlite.com